



**VoIP KNZD-14 Hotline Phone**

**DESCRIPTION ITEM NO.ZD0140022**

1. Cold-roll steel body, vandal & tamper-resistant hardware, easy Installation.
2. Waterproof rating IP55 dust proof.
3. Without keypad, support hotline calling.
4. Magnetic reed hook-switch.
5. Lightning protection to ITU-T recommendation K.21.
6. Heavy Duty handset with hearing Aid compatible receiver, noise canceling microphone.
7. Vandal resistant Handset with industrial curly cord .
8. POE power supply or DC12V.
9. Temperature range from -40 degree to +80 degree.
10. Support echo cancellation.
11. Remote software upgrade, configuration and monitoring.
12. Optional 7 minute time out to release the line if the handset is left off hook. This function upon buyer's requirement).
13. Powder coated in UV stabilized polyester finish.
14. The housing covered with a layer of reflective label for easy identification at night.Optional
15. Application: Tunnel, metro, railway, LRT, speedway, marine, ship,offshore, mine, power plant, bridge etc.



**SPECIFICATION**

VoIP SIP2.0 telephone	DTMF dialing	Audio Codes:G.711, G.722, G.729
MTBF:100000hours	MTTR: 2 hours	Network:10/100 BaseTX Ethernet, RJ45 connectors, Cat5e or better
Hotline (maximum length of each number is 16 digits)		IP Protocols:IPv4, TCP, UDP, TFTP, RTP, RTCP, DHCP, SIP
Communication: Full duplex 2-way hands-free communication		LAN Protocols:Power over Ethernet(PoE,802.3af), WLAN(IEEE 802.3af), Network Access Control(IEEE 802.1x),STP(IEEE 802.1d), RSTP(IEEE 802.1d-2004)
Call Control Signaling:VOIP SIP Info(DTMF), RFC 2833(DTMF)		Programming:Non-volatile flash memory programming and configuration through Web GUI
Power:Power over Ethernet, IEEE802.3af, Class 0 Local power, 12VDC,Idle 2W, Max 10W		Management and Operation:DHCP and static IP, remote automatic software upgrade, centralized monitoring, status LED
Auxiliary Contacts:1 Aux Output, dry contact		Echo cancellation code:G.167/G.168
Contact Ratings. Load: Resistive load		
Rated load:0.3 A at 125 VAC; 1 A at 30 VDC		
Rated carry current:1A		
Max.switching voltage:125 VAC,60VDC		
Max.switching current:1A		

**CERTIFICATION**

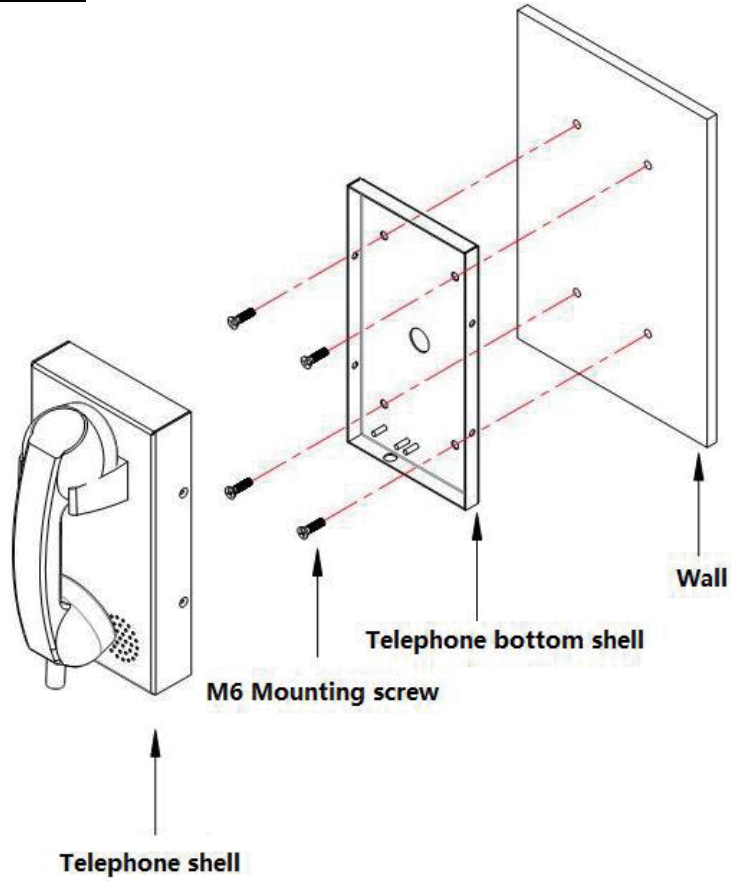
RCM: AS/NZS CISPR 32      Australian communications:AS/CA S004  
 Australian Equipment-safety: AS/NZS 60950.1:2015  
 EMC: EN50121(Railway application-Electromagnetic Compatibility)  
 EN50122 (Railway applications - Fixed installations - Electrical Safety, Earthing and the return circuit)  
 EN45545

**PACKING**

Unit size:240\*130\*35mm Unit: N.W:1.36KG

1pcs packing box size: 310\*170\*130mm      Unit N.W:1.36KG Unit G.W:2KG

# INSTALLATION



Unit:mm

